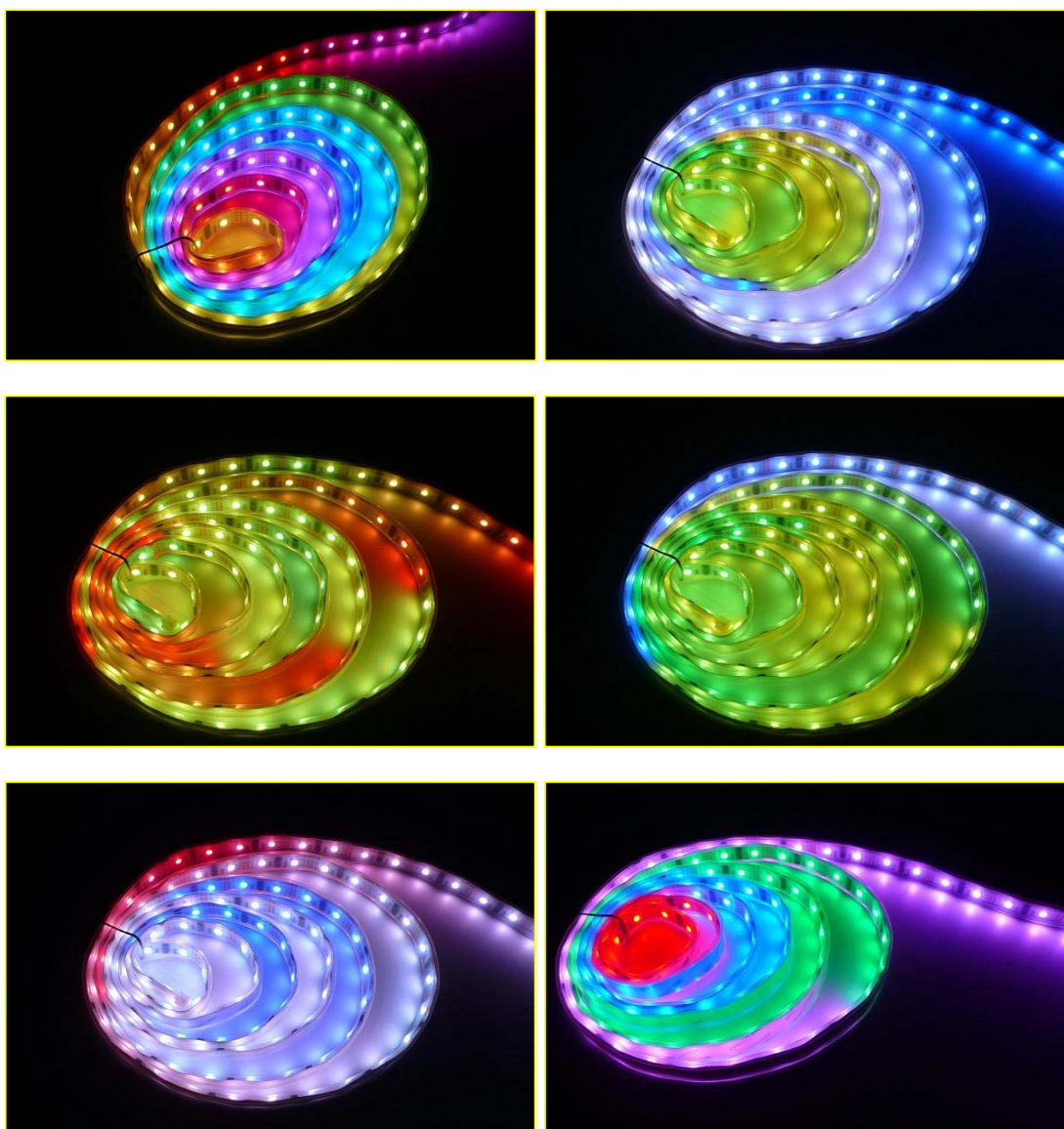


**Features:**

- \* Apply 3-in-1 5050 RGB SMD LED
- \* Can be cut every 2LED along the cut-mark
- \* **Waterproof silicone tube outside, IP65**
- \* Maintain LED long lifetime & color consistency with the microchips
- \* With our RGB controller CL-GCM5AR, it can produce hundreds of patterns of color synchronization, sequence, chasing, rolling, cross fading or strobe effects

**Specification:**

- Packing: 5meter/reel
- Product width: 18mm
- PCB width: 15mm
- LED dimension: 5.0x5.3x1.6mm
- LED beam angle: 120degree
- LED quantity: 160LED/reel (32LED/m)
- Working voltage: 5V DC
- Power consumption: Max. 48W/reel  
Max. 9.6W/meter



**Hongkong Coolight Opt-Ele Co., Limited**

Address: 4/F., 1#, Launch industry park, North Wuhe Avenue, Bantian, Shenzhen, China(518129)

Tel: +86-755-8452 8176 Fax: +86-755-8452 8173

E-mail: [sales@coolight.com.hk](mailto:sales@coolight.com.hk) [Http://www.coolight.com.hk](http://www.coolight.com.hk)

## Remote control Digi RGB controller CL-GCM5AR

Remote control Digi RGB controller CL-GCM5AR is designed for led production which use HL1606 as driver , it has 128\*128\*128 grayscale and length setup function, you could choose it freely in a lot of programs. You can adjust all kinds of dynamic lighting changes by the RF remote controller. It is very useful for light box advertisement, stage light, house decorating and so on.



### Technical parameters

- \* working temperature: -20-60°C
- \* supply voltage: DC12V
- \* external dimension: 94x59x25 mm
- \* net weight: 120g
- \* gross weight: 160g
- \* power consumption: 2.2W
- \* output: two SPI signals
- \* Adopt 5-pin Connector pin.



### Operation:

1. Connect the load wire at first, following by the power wire; Please ensure short circuit can not occur between connecting wire before you turn on the power.
2. There are 8 buttons on controller panel, and each button function as follows:

**ON/OFF button**, press to turn on or turn off. when turn off, the LCD will display the current setting IC number.

**Play/Pause button**, press this button to pause to see the static effects, press again to play.

**Length Adding button**, press to add the IC number, the maximum is 255 (510pcs LED).

**Length Reducing button**, press to reduce the IC number, the least number is 16 (32pcs LED).

**Program-up button**, press to choose the previous program pattern. 83 program patterns total.

**Program-down button**, press to choose the next program pattern.

**Speed-up button**, press to increase the color changing speed. 100 speed degrades total.

**Speed-down button**, press to decrease the color changing speed.

### Hongkong Coolight Opt-Ele Co.,Limited

Address: 4/F., 1#, Launch industry park, North Wuhe Avenue, Bantian, Shenzhen, China(518129)

Tel: +86-755-8452 8176 Fax: +86-755-8452 8173

E-mail: [sales@coolight.com.hk](mailto:sales@coolight.com.hk) [Http://www.coolight.com.hk](http://www.coolight.com.hk)

3. There are 6 buttons on the remote panel, and each button function as follows:

**ON / OFF:** press to open or close.

**MODE:** press this button to pause to see the static effects, press again to play.

**B+:** press to choose the previous program pattern. 83 program patterns total.

**B-:** press to choose the next program pattern.

**S +:** press to increase the color changing speed. 100 speed degrades total.

**S-:** press to decrease the color changing speed.

4. The description of signal output interface: L, C, D, S is the corresponding signal of HL1606, which is L\_I, CK\_I, D\_I, S\_I.

Program description: (Condition: A1—Blue LED; A2—Red LED; A3—Green LED)



5. Standard color changing program patterns as follows:

- 1 All color wave forward direction
- 2 All color wave backward direction
- 3 All color draw curtain by waving
- 4 All color lower curtain by waving
- 5 Three color wave by wave forward direction
- 6 Three color wave by wave backward direction
- 7 Three color draw curtain waving by waving
- 8 Three color lower curtain waving by waving
- 9 Many color wave forward direction
- 10 Many color wave backward direction
- 11 Many color wave draw curtain
- 12 Many color wave lower curtain
- 13 Six color trail forward direction
- 14 Six color trail backward direction
- 15 Six color trail draw curtain
- 16 Six color trail lower curtain
- 17 Three base color trail forward direction
- 18 Three base color trail backward direction
- 19 Three base color trail draw curtain
- 20 Three base color trail lower curtain
- 21 Six color jumpy change
- 22 Three base color jumpy change

**Hongkong Coolight Opt-Ele Co., Limited**

Address: 4/F., 1#, Launch industry park, North Wuhe Avenue, Bantian, Shenzhen, China(518129)

Tel: +86-755-8452 8176 Fax: +86-755-8452 8173

E-mail: [sales@coolight.com.hk](mailto:sales@coolight.com.hk) [Http://www.coolight.com.hk](http://www.coolight.com.hk)

**Digital RGB flexible LED strip series**  
**Waterproof digital RGB flexible LED strip**  
**CL-DGTF51920-32T3**

**COOLIGHT™**  
Lighting your life

---

- 23 Three mixing color jumpy change forward direction
- 24 Six color jumpy change forward direction
- 25 Six color jumpy change backward direction
- 26 Six color jumpy change draw curtain
- 27 Six color jumpy change lower curtain
- 28 Three base color jumpy change forward direction
- 29 Three base color jumpy change backward direction
- 30 Three base color jumpy change draw curtain
- 31 Three base color jumpy change lower curtain
- 32 Six color brush forward direction
- 33 Six color brush backward direction
- 34 Three base color brush forward direction
- 35 Three base color brush backward direction
- 36 Six color brush draw curtain
- 37 Six color brush lower curtain
- 38 Three base color brush draw curtain
- 39 Three base color brush lower curtain
- 40 Change color red-purple-red forward direction
- 41 Change color red-purple-red backward direction
- 42 Change color red-purple-red draw curtain
- 43 Change color red-purple-red lower curtain
- 44 Change color red-yellow-red forward direction
- 45 Change color red-yellow-red backward direction
- 46 Change color red-yellow-red draw curtain
- 47 Change color red-yellow-red lower curtain
- 48 Change color red-green-red forward direction
- 49 Change color red-green-red backward direction
- 50 Change color red-green-red draw curtain
- 51 Change color red-green-red lower curtain
- 52 Change color red-blue-red forward direction
- 53 Change color red-blue-red backward direction
- 54 Change color red-blue-red draw curtain
- 55 Change color red-blue-red lower curtain
- 56 Change color green-cyan-green forward direction
- 57 Change color green-cyan-green backward direction
- 58 Change color green-cyan-green draw curtain
- 59 Change color green-cyan-green lower curtain
- 60 Change color green-blue-green forward direction
- 61 Change color green-blue-green backward direction
- 62 Change color green-blue-green draw curtain

**Hongkong Coolight Opt-Ele Co., Limited**

Address: 4/F., 1#, Launch industry park, North Wuhe Avenue, Bantian, Shenzhen, China(518129)

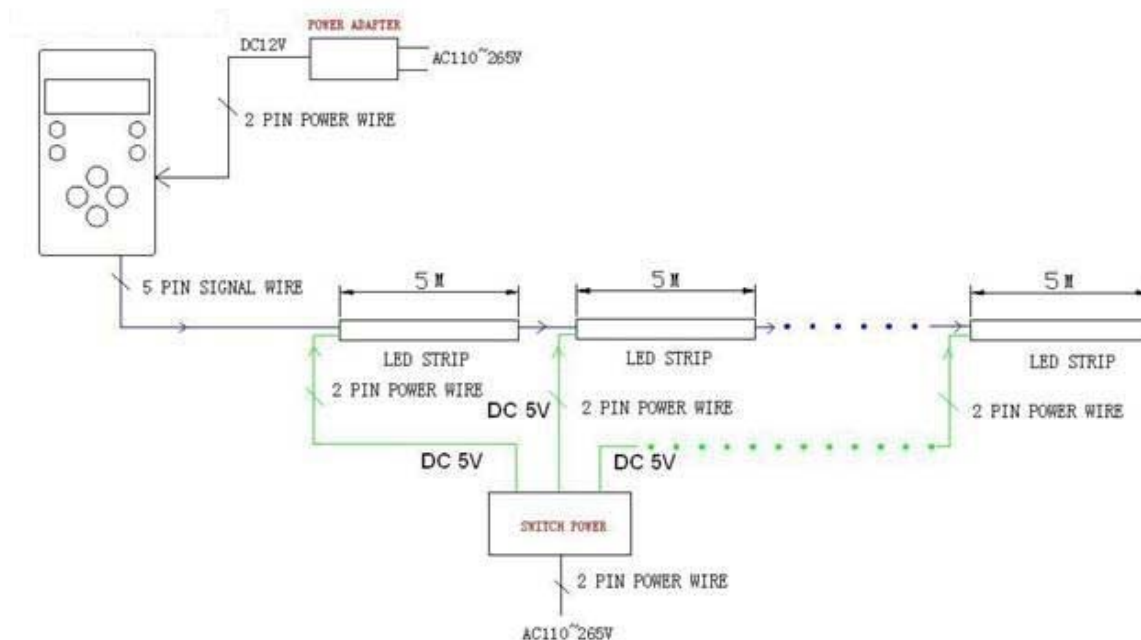
Tel: +86-755-8452 8176 Fax: +86-755-8452 8173

E-mail: [sales@coolight.com.hk](mailto:sales@coolight.com.hk) [Http://www.coolight.com.hk](http://www.coolight.com.hk)

**Digital RGB flexible LED strip series**  
**Waterproof digital RGB flexible LED strip**  
**CL-DGTF51920-32T3**

- 63 Change color green-blue-green lower curtain
- 64 Change color red-white-red forward direction
- 65 Change color red-white-red backward direction
- 66 Change color red-white-red draw curtain
- 67 Change color red-white-red lower direction
- 68 Change color green-white-green forward direction
- 69 Change color green-white-green backward direction
- 70 Change color green-white-green draw curtain
- 71 Change color green-white-green lower direction
- 72 Change color blue-white-blue forward direction
- 73 Change color blue-white-blue backward direction
- 74 Change color blue-white-blue draw curtain
- 75 Change color blue-white-blue lower curtain
- 76 Six color fade in and fade out forward direction
- 77 Six color fade in and fade out backward direction
- 78 Six color fade in and fade out draw curtain
- 79 Six color fade in and fade out lower curtain
- 80 Three base color fade in and fade out forward direction
- 81 Three base color fade in and fade out backward direction
- 82 Three base color fade in and fade out draw curtain
- 83 Three base color fade in and fade out lower curtain

**Connect diagram:**



**Hongkong Coolight Opt-Ele Co., Limited**

Address: 4/F., 1#, Launch industry park, North Wuhe Avenue, Bantian, Shenzhen, China(518129)

Tel: +86-755-8452 8176 Fax: +86-755-8452 8173

E-mail: [sales@coolight.com.hk](mailto:sales@coolight.com.hk) [Http://www.coolight.com.hk](http://www.coolight.com.hk)